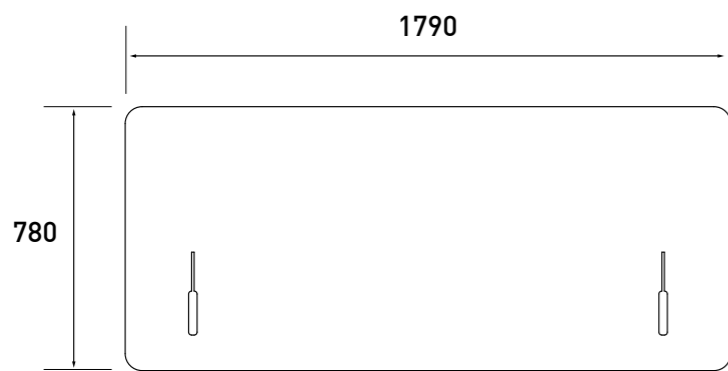
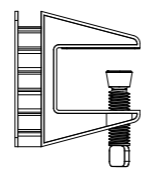


# 1

The Kit:



1 X Desk Screen



2 X Desk Clamps

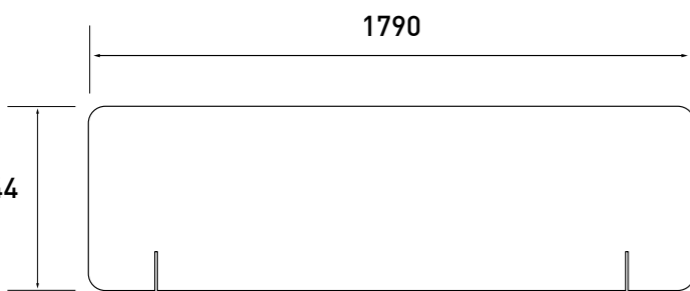
Adapt Classic:

780

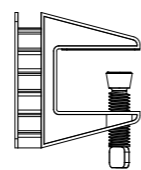
1790

Adapt Social:

544



1 X Desk Screen



2 X Desk Clamps

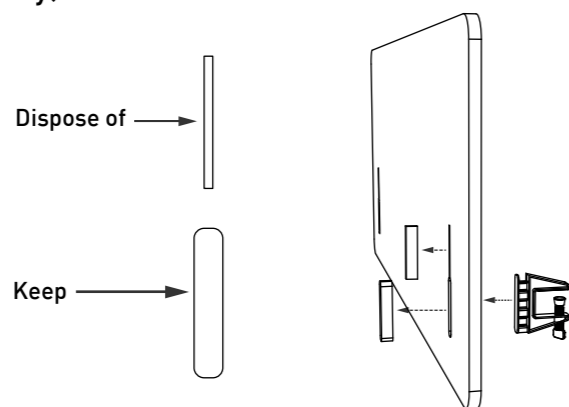
1790

# 2

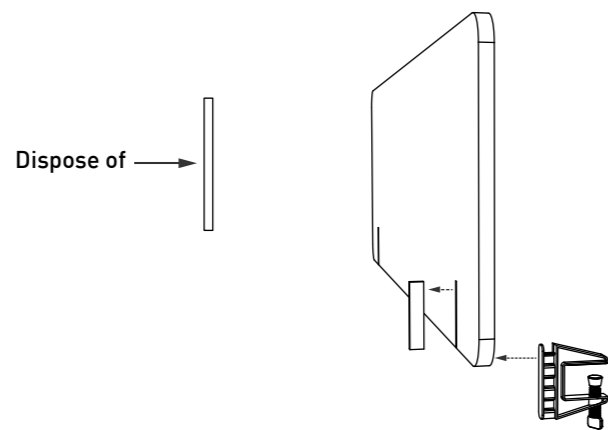
Pop out the cutout shapes and dispose of the thin rectangular ones.

Keep the wider parts to replace them after the clamps are in place (Adapt Classic only).

Adapt Classic:



Adapt Social:

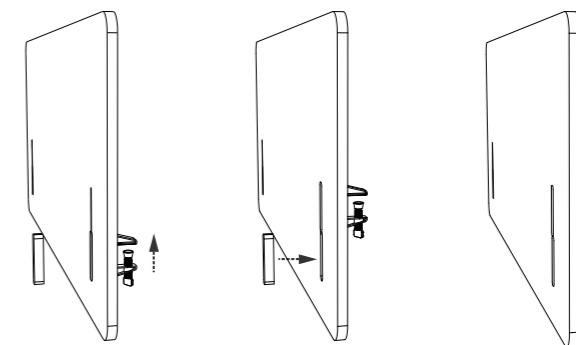


# 3

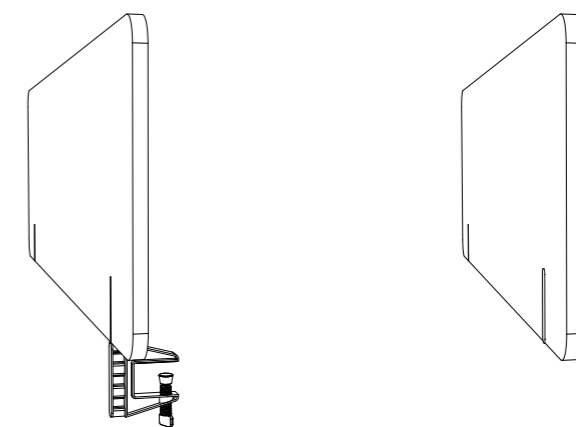
Push the Desk Clamps through the cutouts and slide them upwards.

Replace the cutout parts to conceal the cut (Adapt Classic only).

Adapt Classic:



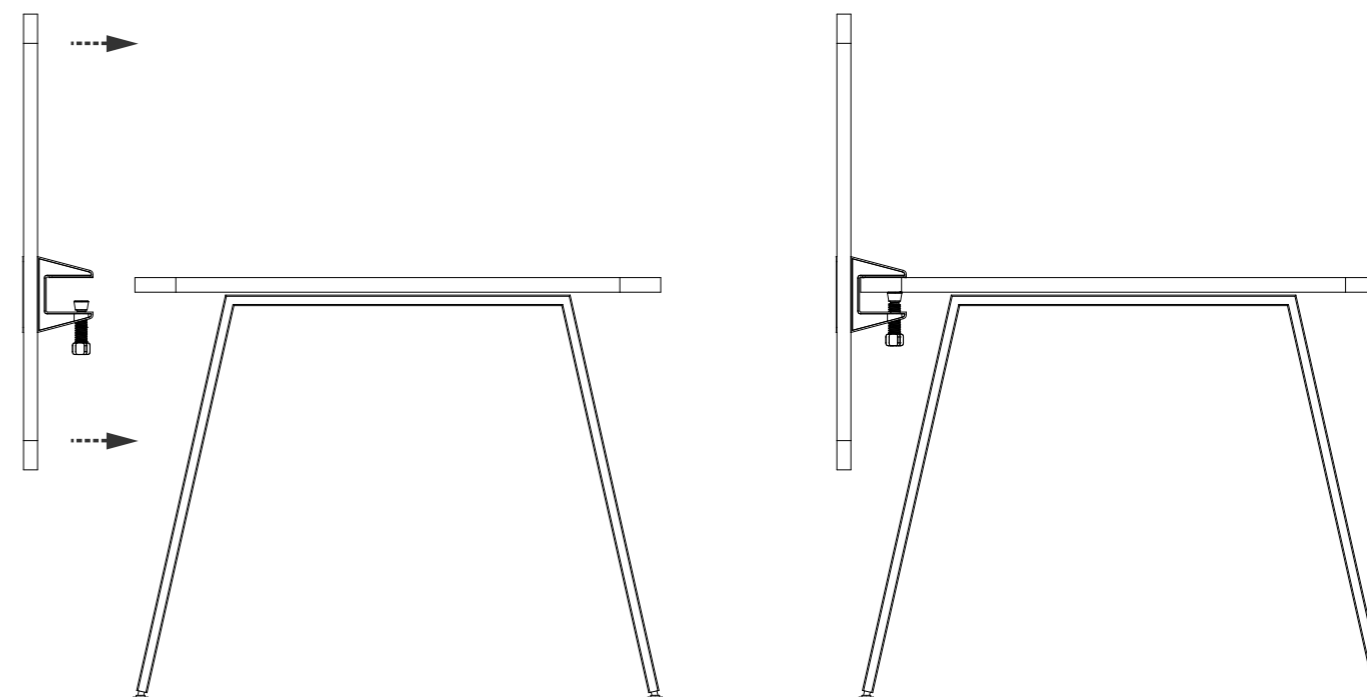
Adapt Social:

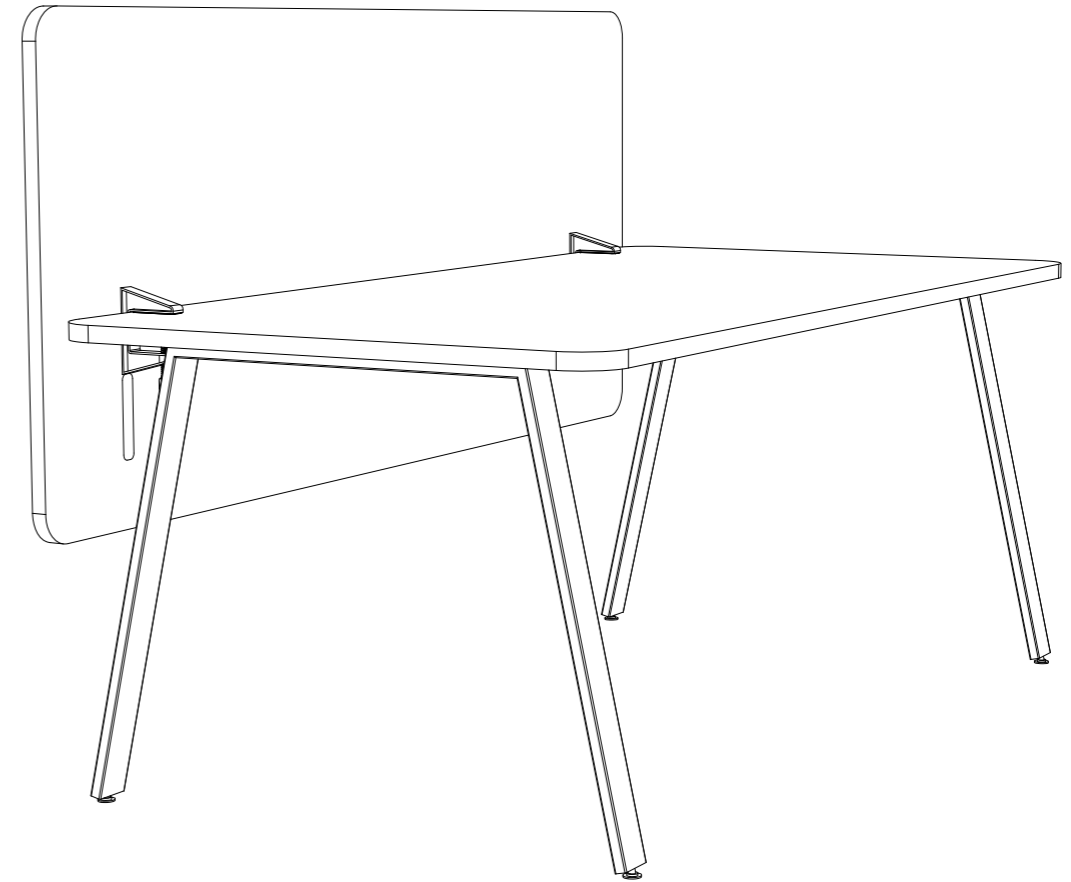
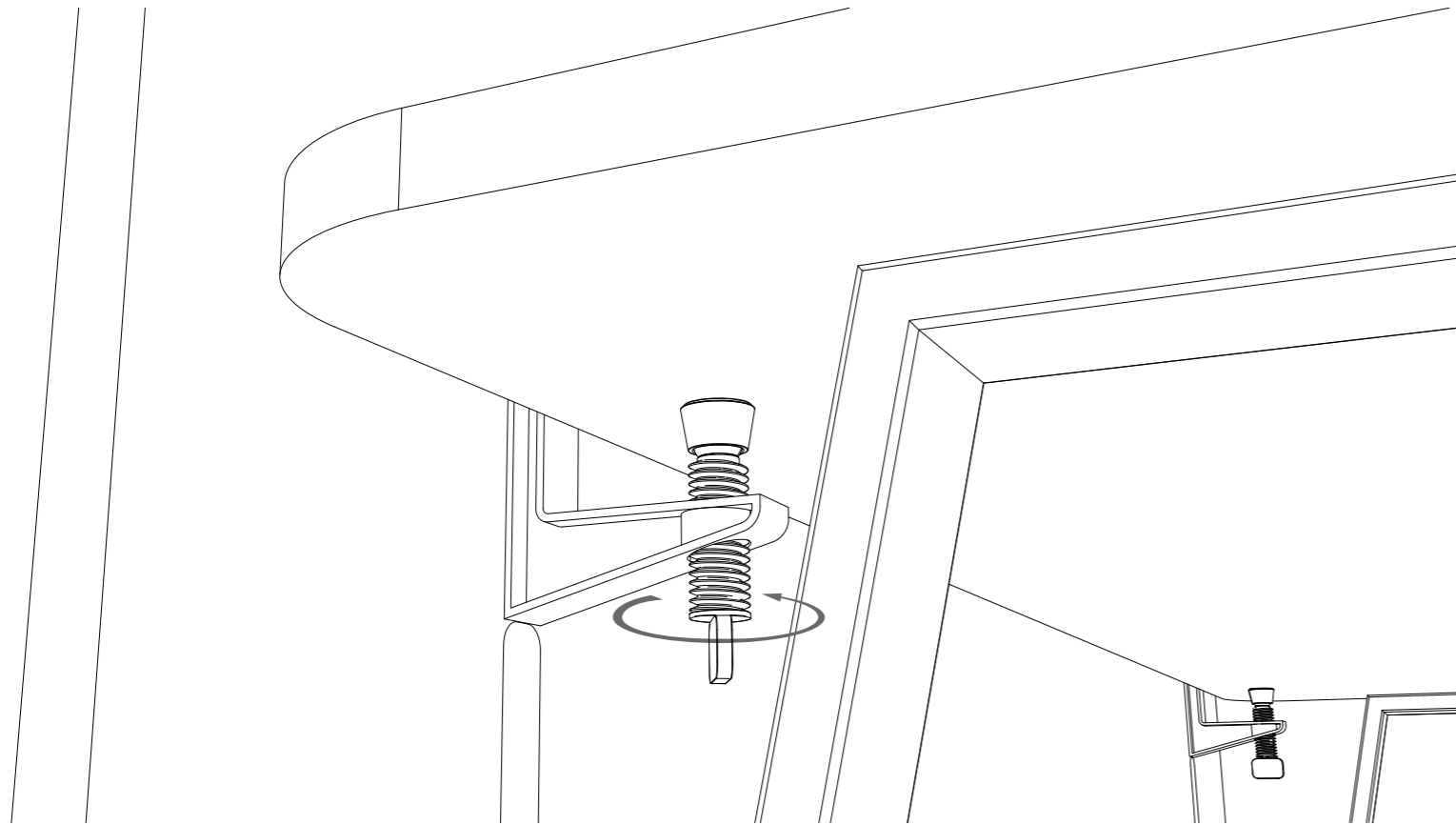


# 4

Install the assembly onto the desk top, tightening the clamps enough to stay in place.

Double check the screen is correctly positioned.





## EchoPanel® Adapt Installation Guide

### Specification

- Non-woven PET acoustic desk screen
- 1790 mm x 780 mm (Classic)
- 1790 mm x 544 mm (Social)

### Contents of box

- 1 EchoPanel® screen
- 2 Desk Clamps
- Installation Guide

### Please read these instructions before application.

This guide is presented in good faith to help in the installation of EchoPanel® Adapt. Woven Image accepts no responsibility for installation actions taken or not taken. This guide contains recommendations and is not intended as an all-encompassing guide, your knowledge as an experienced tradesperson needs to be applied.

A professional qualified installer is recommended for optimum results.

### Pre-Installation Requirements

- Please check that all components are the correct colour, shape and same batch number (if requested).
- No claims will be accepted after EchoPanel® Adapt has been installed.
- The clamps should be tested for desk suitability.
- All surfaces must be smooth, clean, dry, dust and mould free.
- Please refer to Woven Image Pty Ltd Terms and Conditions of Trade.

### Cleaning & Care for EchoPanel® Adapt

#### Regular Care

- Protect from direct sunlight.
- Vacuum regularly using low suction and smooth attachment.

#### Cleaning

- Professional cleaning recommended.
- Do not shampoo clean.

#### Spot Cleaning

- Treat spills and stains as soon as possible.
- Avoid concentrated rubbing. Use minimal pressure only.
- Gently scrape soil or mop liquid from the surface of the screen.
- Apply proprietary cleaning agents strictly according to instructions.
- Do not saturate EchoPanel® Adapt with water or other cleaning liquids.
- May be spot cleaned with dry cleaning solvent.